

S/M No. :OSDV900001

Service Manual

DVD PLAYER

Model: DV-900

DAEWOO

✓ **Caution**

: In this Manual, some parts can be changed for improving, their performance without notice in the parts list. So, if you need the latest parts information, please refer to PPL(Parts Price List) in Service Information Center

DAEWOO 
ELECTRONICS

MAY, 2006

2.2. Power supply Circuit Diagram and Component Layout

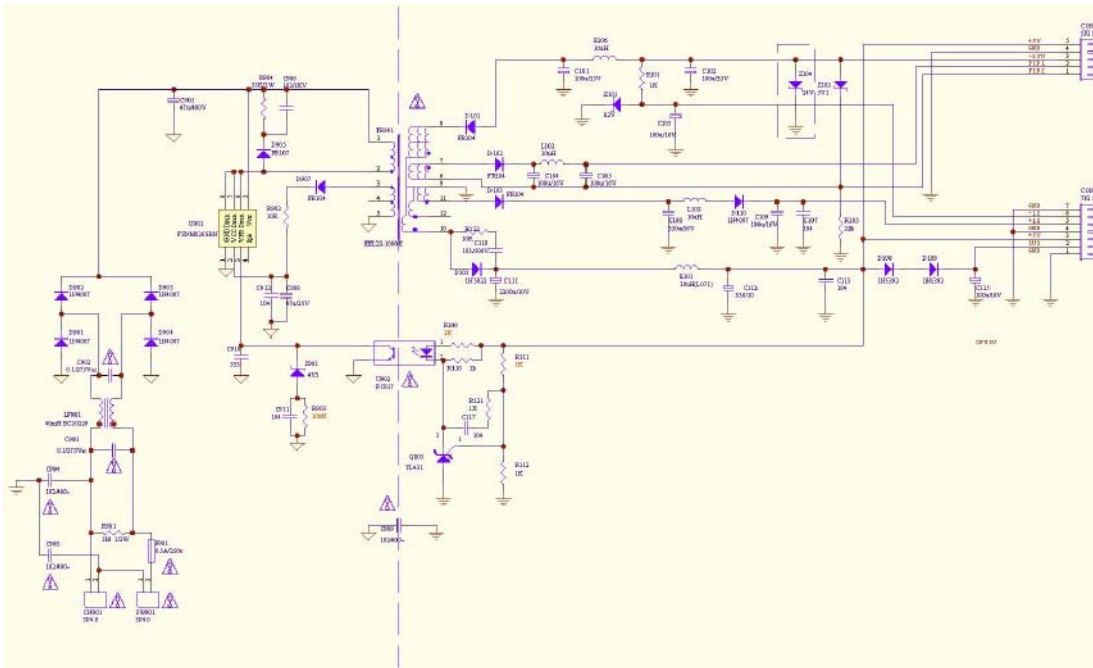


Fig 2-4 Power Supply Circuit Diagram

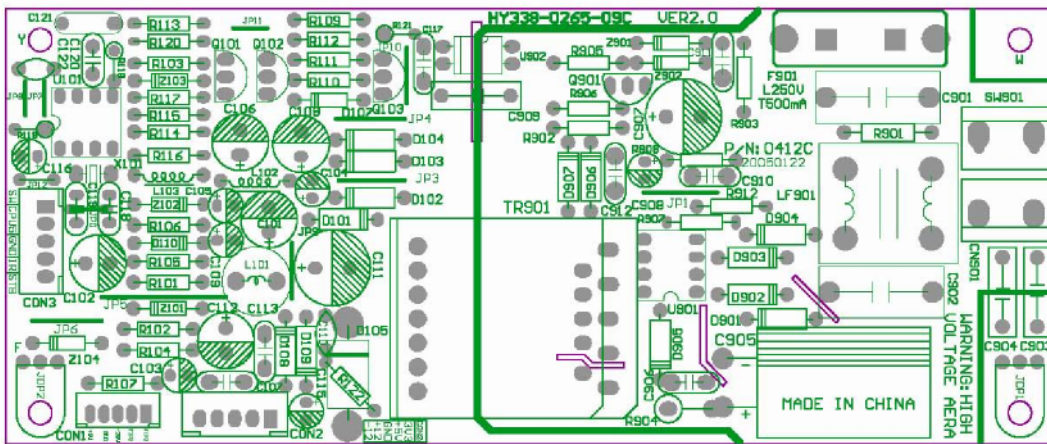


Fig 2-5 Power Supply Assembly Drawing

2.3. MPEG Circuit Diagram and Component Layout

2.3.1. MPEG Circuit Diagram

COMMON90_HD60_V4

MT1389D (LQFP216) DVD Demo Board for Sanyo Slim HD60 PUH

- 1 INDEX & POWER, RSET
- 2 RF, SERVO & MPEG - MT1389D
- 3 MEMORY - SDRAM, FLASH/EEPROM
- 4 VIDEO OUT
- 5 AUDIO DAC NMA8756

NAME	TYP	DEVICE
VCC	Digital 5V	SUPPLY
DV33	Digital 3.3V	MT1389D
SPV33	Servo 3.3V	MT1389D
LDD_AV13	LEDs Diode 3.3V	
AVCC	SP 5V	PICKUP HEADER
V18	Digital 1.8V	MT1389D
SD33	Digital 3.3V	SDRAM
+12V	Audio -12V	OP AMP.
-12V	Audio -12V	OP AMP.
AVDD	Audio 5V	Audio DAC
DVDD	Audio 3V3	Audio DAC

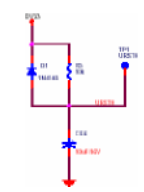
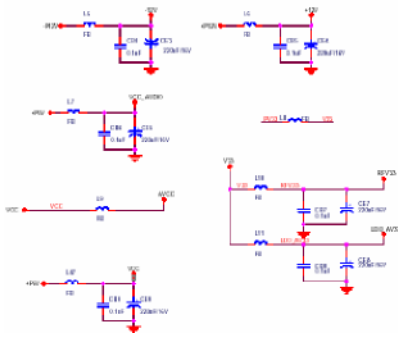
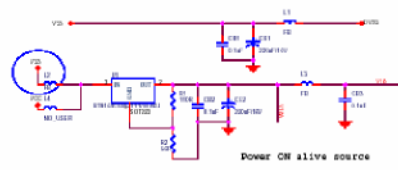
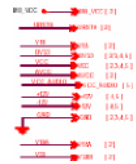
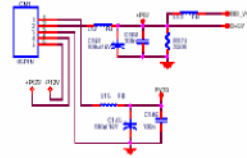


Fig 2-7 Index and Power Interface

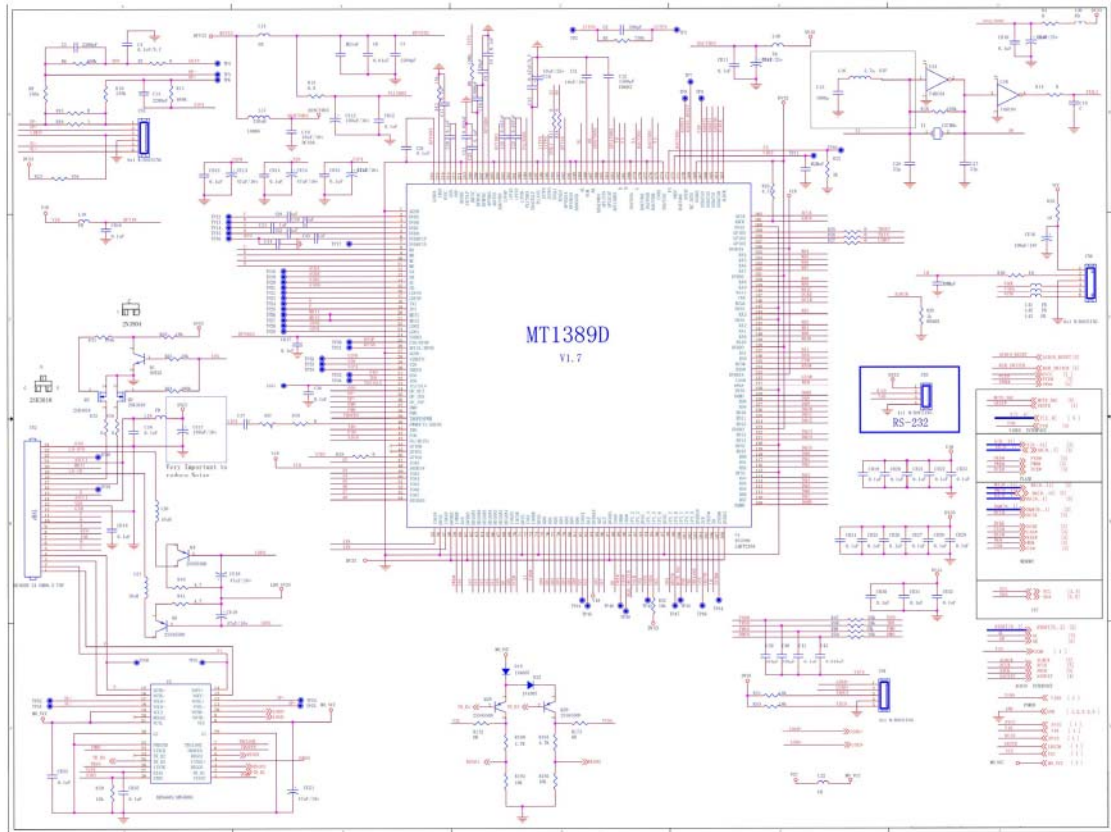
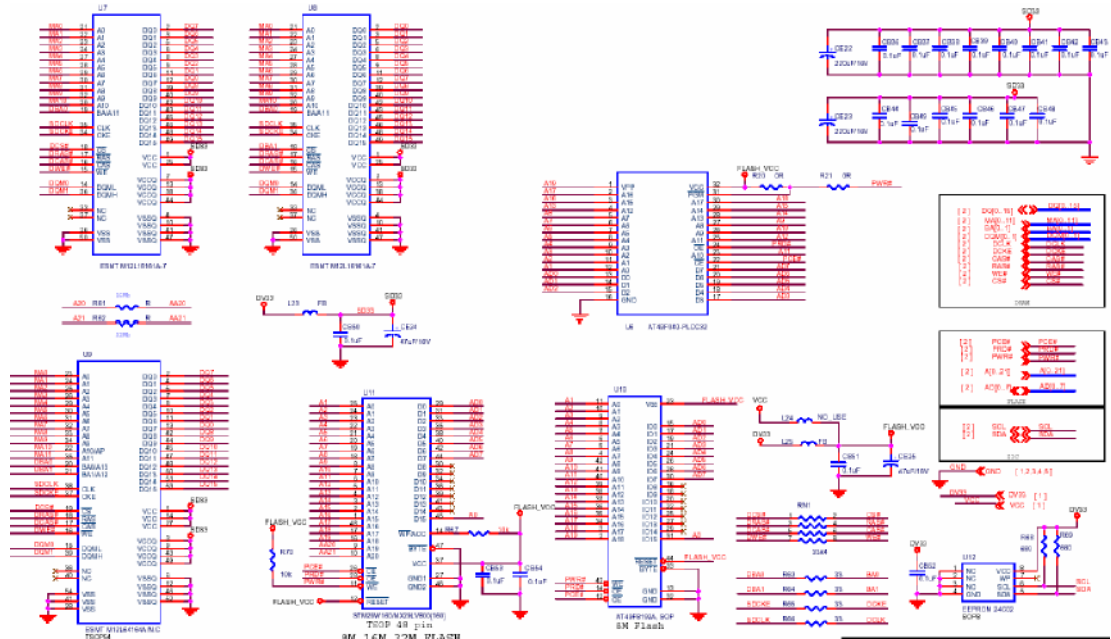


Fig2-8 MTK1389D & RF



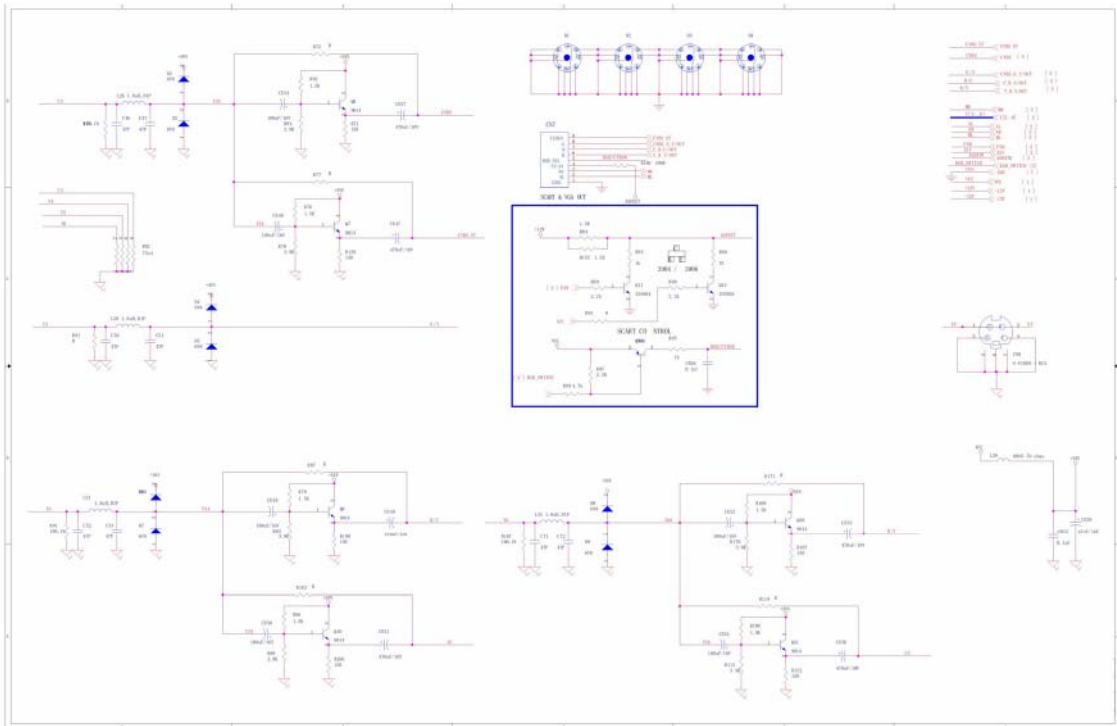
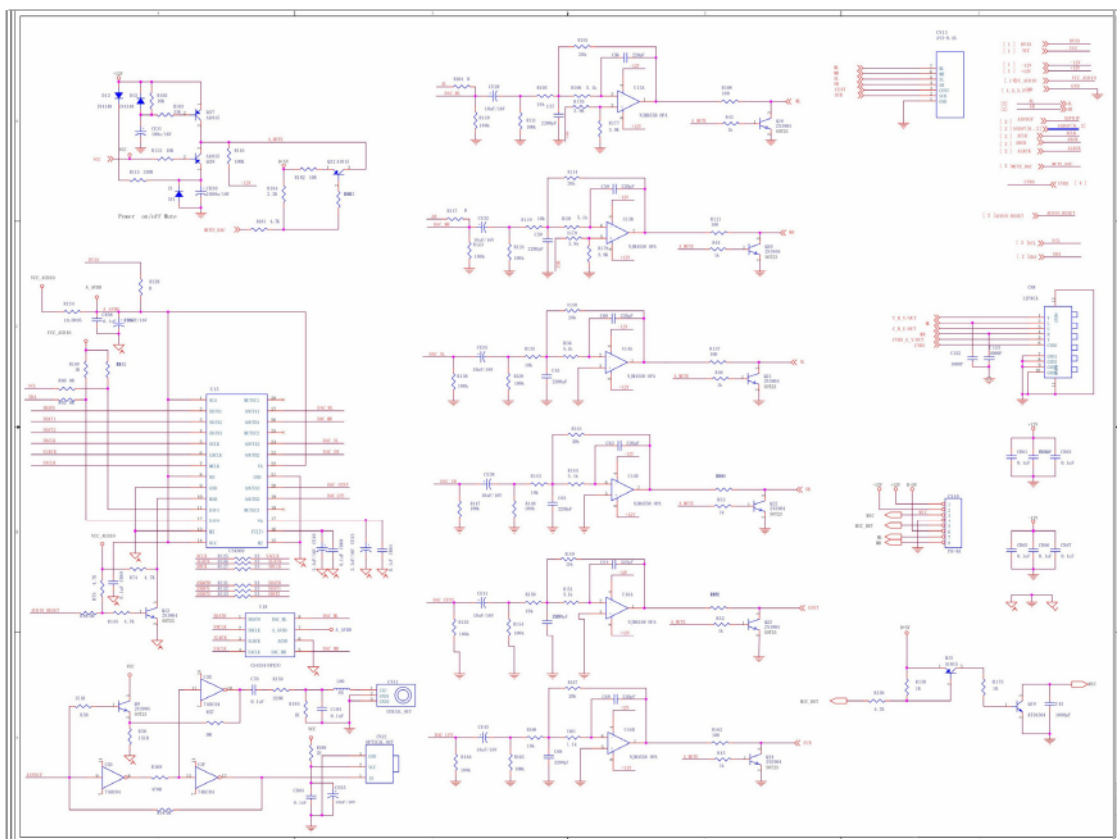


Fig 2-10 Video output



2.4. Front panel Circuit Diagram and Component Layout

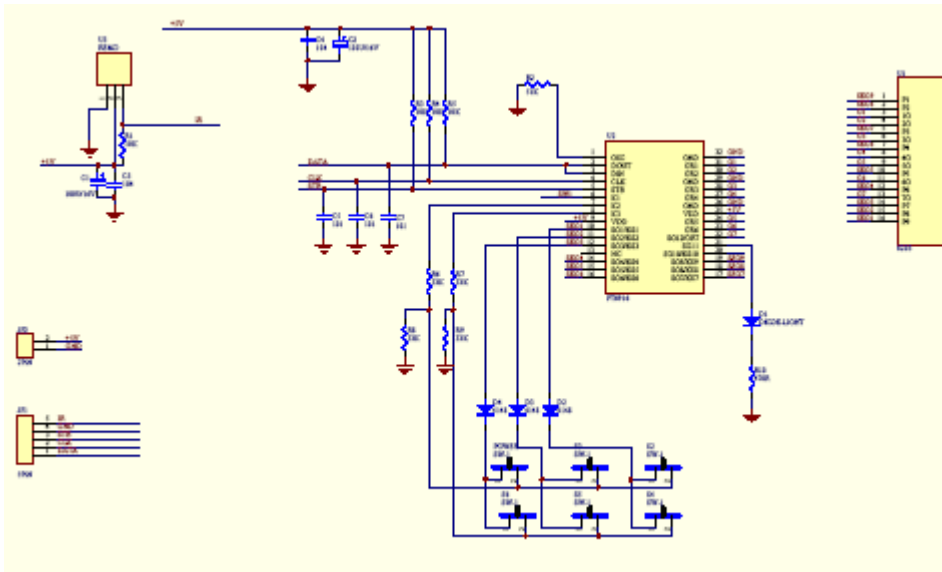


Fig 2-14 Front Panel Circuit Diagram



Fig 2-15 Front Panel Assembly Drawing



Fig 2-16 Front Panel Composite